

## Technical Bulletin

### 072 – Zero 2020 Data Sheet

# zero<sup>®</sup> 2020

Issue Date 14/07/23

Revision 01

**Lifeline Fire and Safety Systems Limited**  
Falkland Close, Charter Avenue Industrial Estate,  
Coventry, West Midlands, CV4 8AU

Tel: +44 (0)24 7671 2999

Fax: +44 (0)24 7642 1322

Email: [sales@lifeline-fire.co.uk](mailto:sales@lifeline-fire.co.uk)

## Technical Bulletin 072 –

Other References	
TB009	Extinguisher Selection
TB063	ABF Foam MSDS
TB040	Plumbed-in FIA TL16 Systems – Installation Guide
TB041	FIA TL16 Systems – Kit Content and Spares
TB020	UK Motorsport Regulations Changes

### Overview

Lifeline FIA Technical List 16 systems are a refinement and improvement of the originals, by optimising nozzle design to give increased coverage resulting in faster discharge times, the Lifeline Zero 2020 range provides increased levels of safety for all competition vehicles.



## Specification

	Mechanical	Electrical
Description	Zero 2020	Zero 2020
FIA Homologation	EX.065.21	EX.064.21
Contents	ABF Foam	ABF Foam
Discharge System	Mechanical	Electrical
Cylinder Material	Steel	Aluminium
Temperatures	-10 – 60°C	-10 – 60°C

## Suppressant

Using Lifeline's motorsport principles of lighter, faster, smaller the Zero 2020 is an improved version of the popular Zero 2000 range. The Zero 2020 uses a new foam which has allowed Lifeline to reduce both the weight and size of the bottle, whilst also reducing the number of nozzles required, but still maintaining its effectiveness.

## Zero 2020 Options

The Zero 2020 has 2 options for operation. The entry level Fire Marshal range provides increased fire out performance and cost benefits for a minimal weight penalty. The electric stored pressure systems are pure performance; optimised both for weight and fire out time. The Zero 2020 is suitable for circuit racing and for rallying.

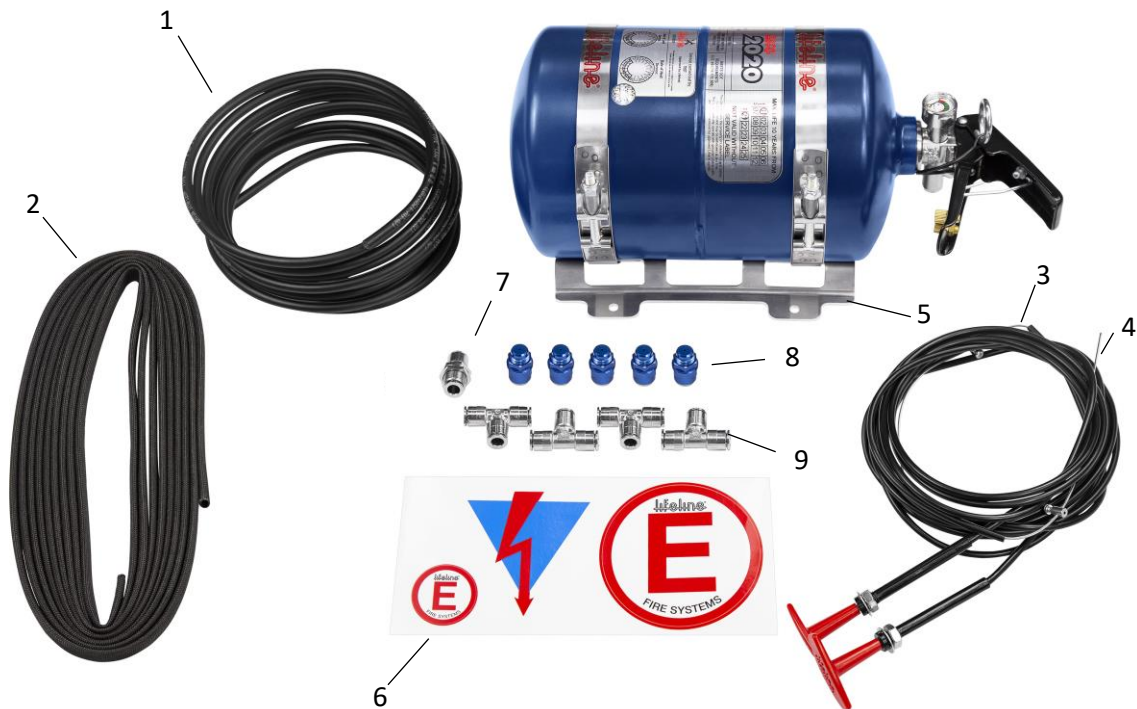
**Mechanical**

Part Number	Description	Suppressant Quantity	Cylinder Weight	Cylinder Dimensions (Length x Diameter)
106-001-0011	Zero 2020 Mechanical	3.0 Litres	5.2kg	252 x 155mm

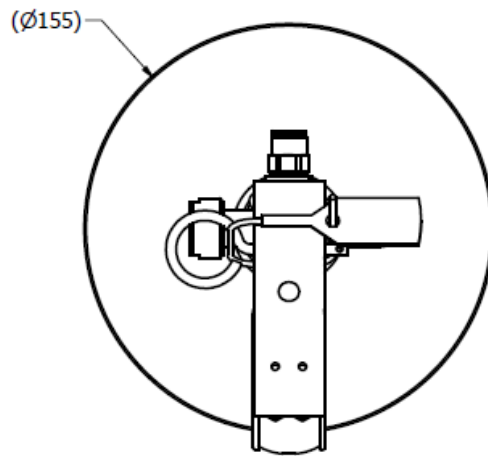
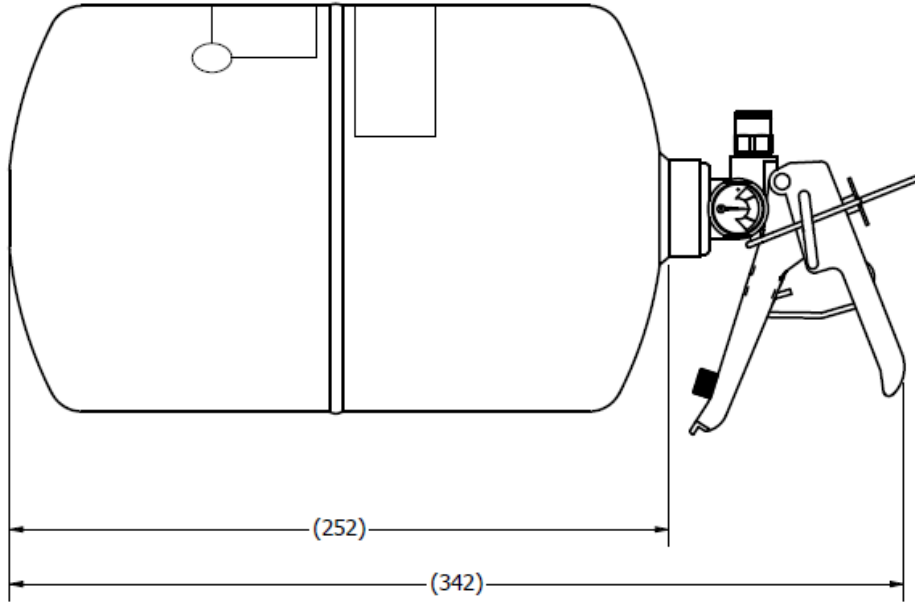


**Kit Content**

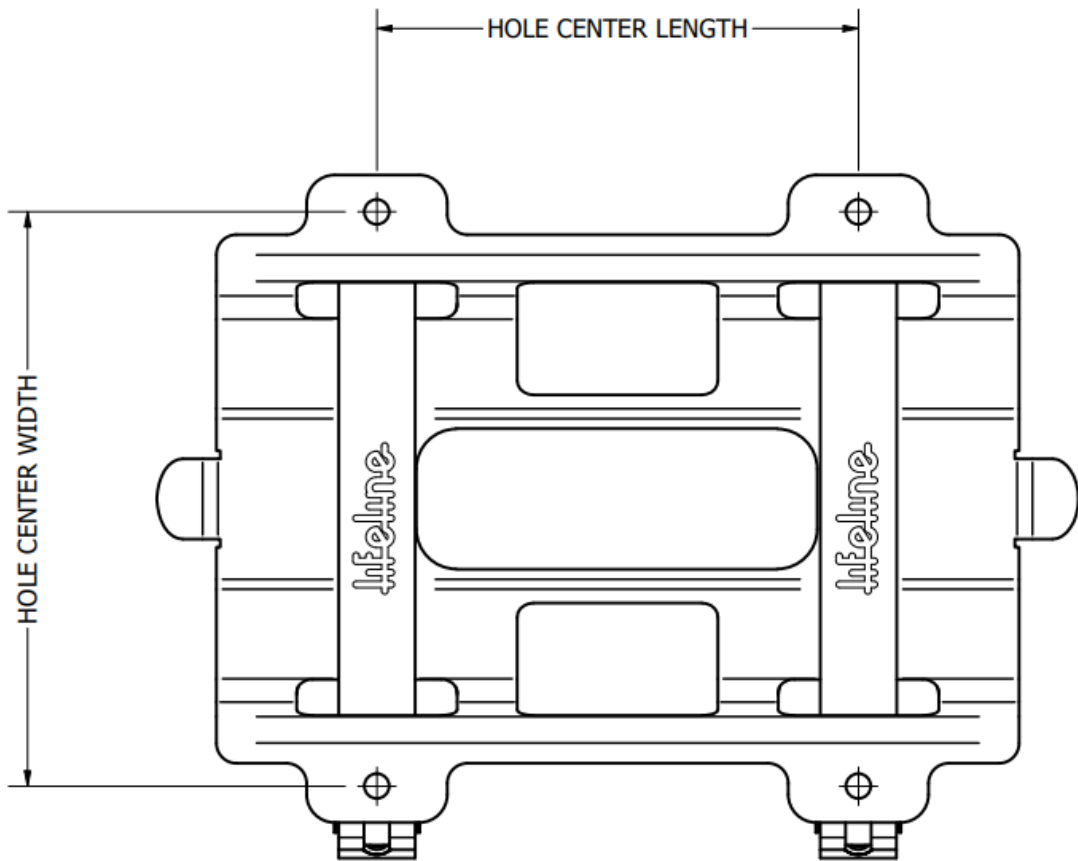
Item	Reference	Description	Quantity
1.0	951-101-014	8mm – Alloy Semi Rigid Tube – 6m Length	1
2.0	951-300-002	Heat Proof Overbraid – 6m	1
3.0	935-100-001	2.0mtr/6ft Pull Cable – Red T Handle	1
4.0	935-100-002	4.0mtr/12ft Pull Cable – Red T Handle	1
5.0	920-100-054	Zero 2020 Brackets & Straps	1
6.0	990-100-001	Decal Pack	1
7.0	952-408-002	8mm Bulkhead Fitting	1
8.0	955-300-015	Misting Nozzle	5
9.0	952-408-001	8mm Equal T Connector	4



**Drawings**

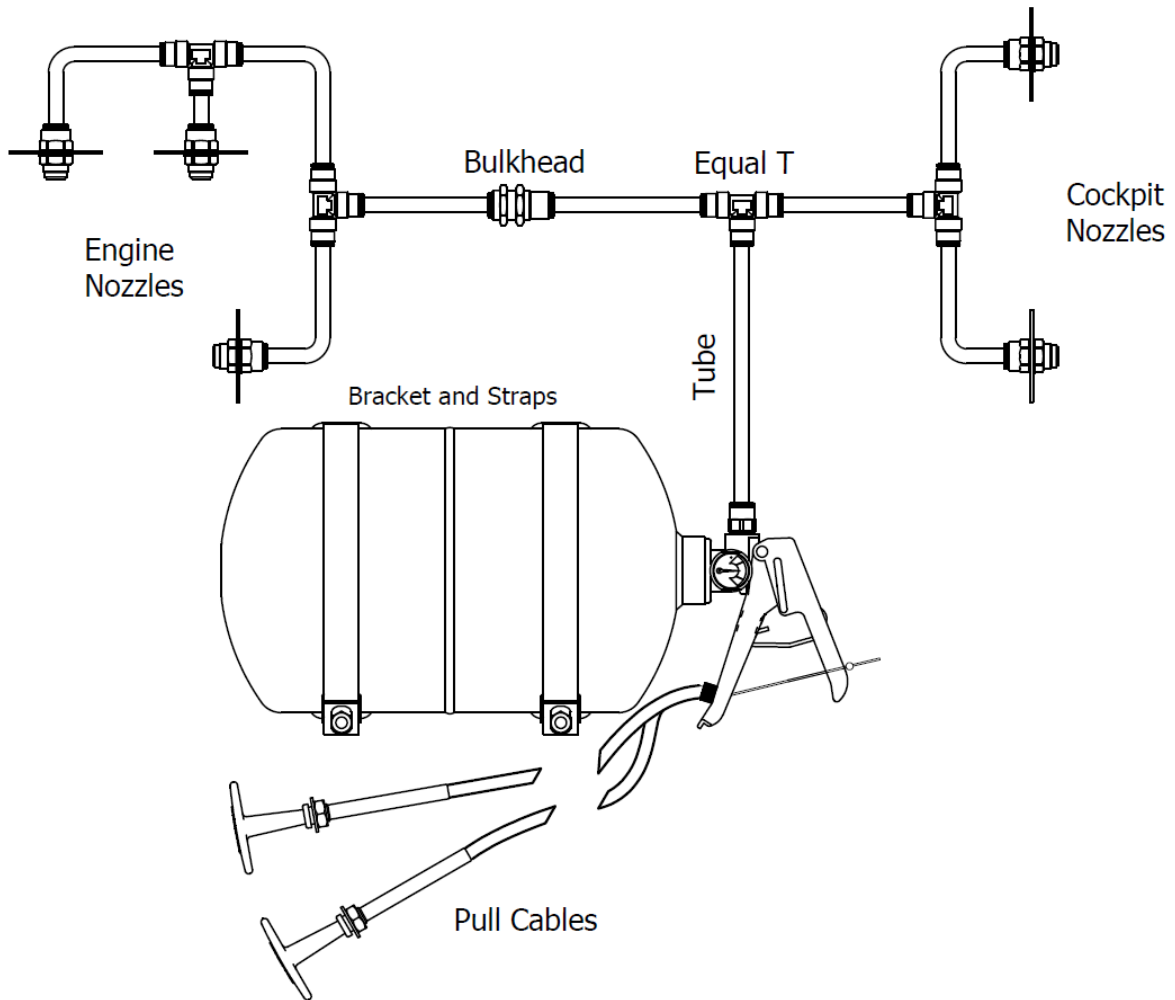


**Bracket Centre Point**



Hole Centres	
Length	120 mm
Width	141-145 mm

**Schematic**





**Electric**

Part Number	Description	Suppressant Quantity	Cylinder Weight	Cylinder Dimensions (Length x Diameter)
106-001-012	Zero 2020 Electric	3.0 Litres	4.1kg	238 x 155mm

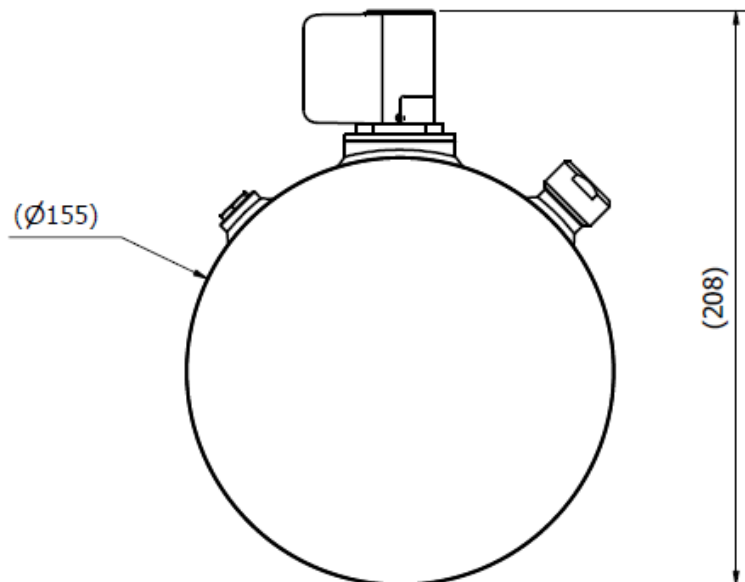
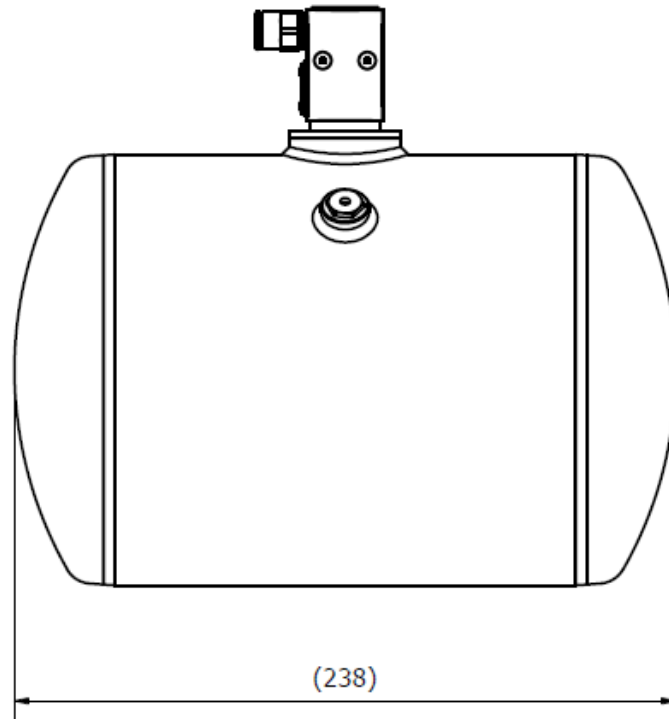


**Kit Content**

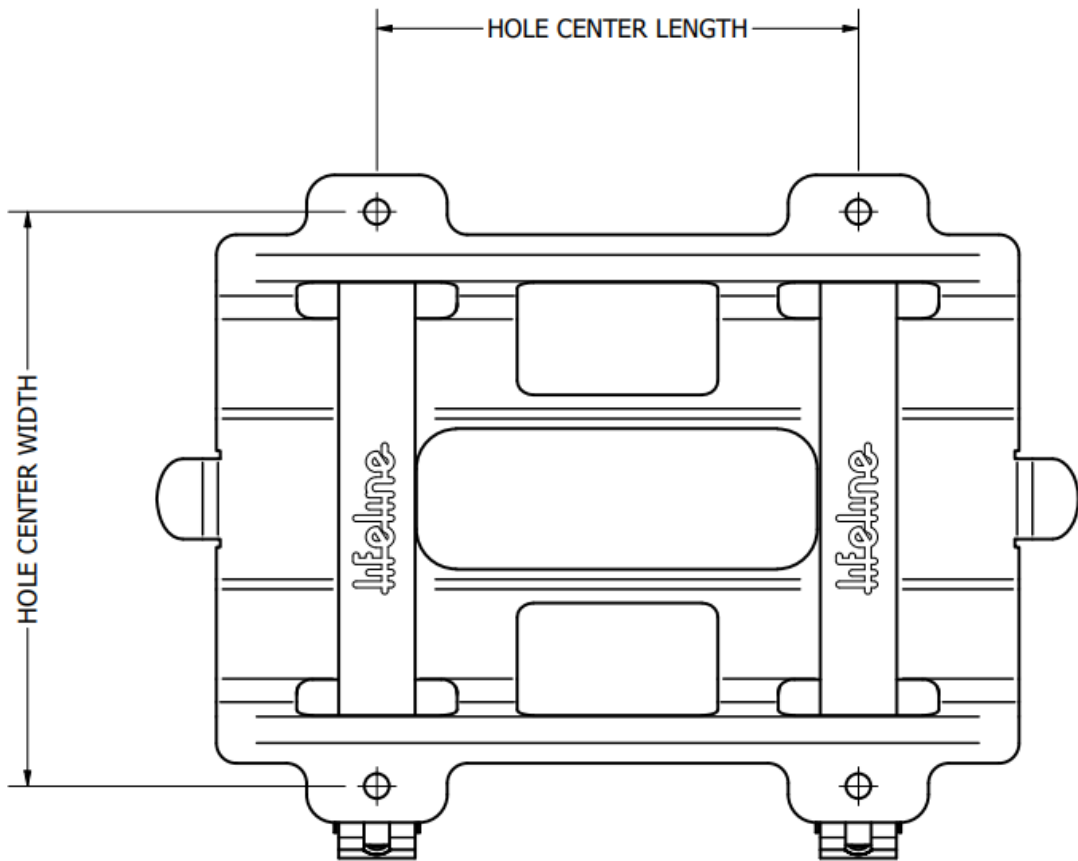
Item	Reference	Description	Quantity
1.0	951-101-014	8mm – Alloy Semi Rigid Tube – 6m Length	1
2.0	951-300-002	Heat Proof Overbraid – 6m	1
3.0	941-000-001	Power Pack – DIN Socket	1
4.0	943-101-001	Plug & Lead Assembly – Standard	2
5.0	942-100-004	Activation Switch	2
6.0	920-100-054	Zero 2020 Brackets & Straps	1
7.0	990-100-001	Decal Pack	1
8.0	952-408-002	8mm Bulkhead Fitting	1
9.0	955-300-015	Misting Nozzle	5
10.0	952-408-001	8mm Equal T Connector	4



**Drawings**

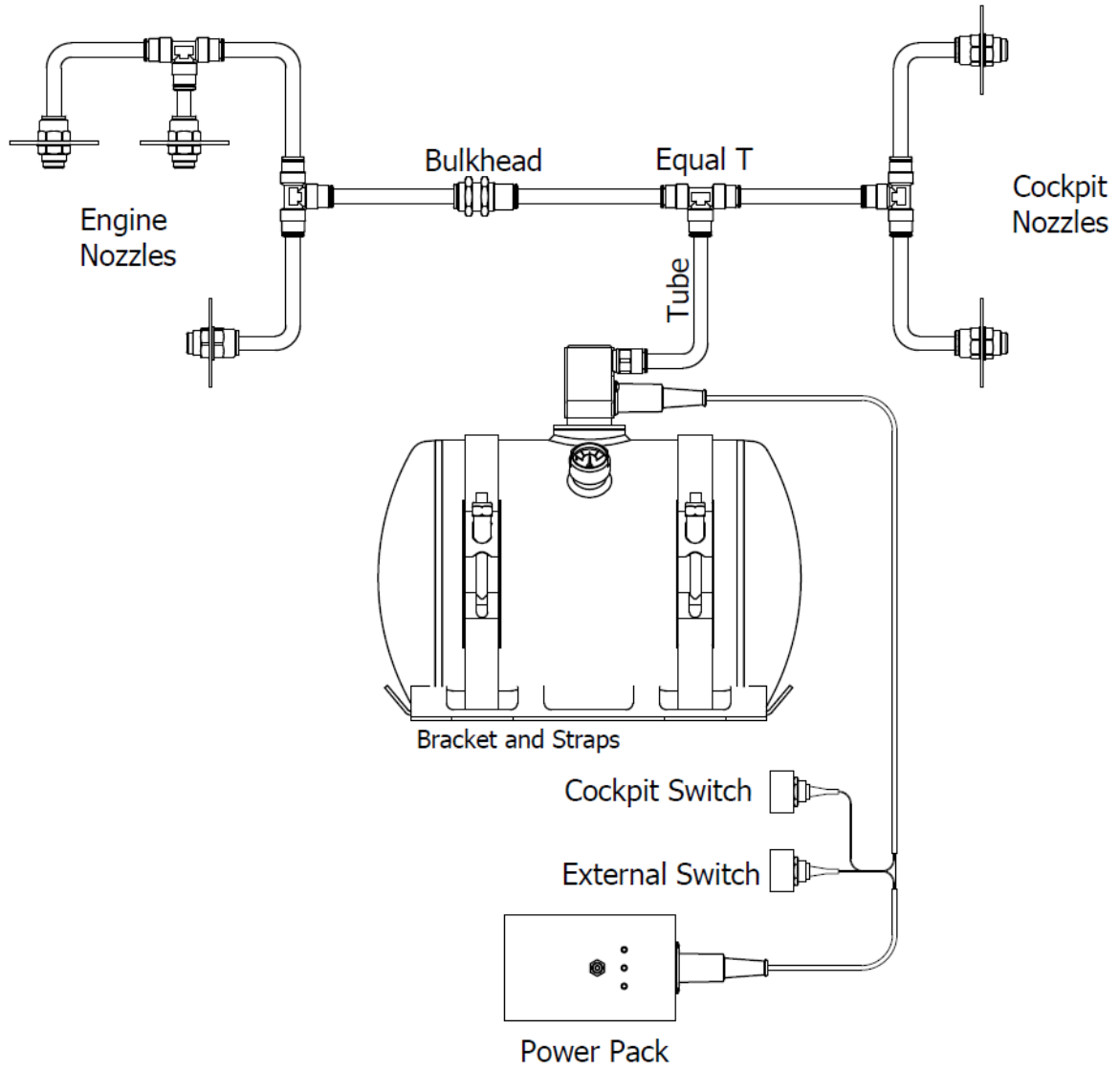


## Bracket Centre Point



Hole Centres	
Length	120 mm
Width	141-145 mm

**Schematic**



## Notes